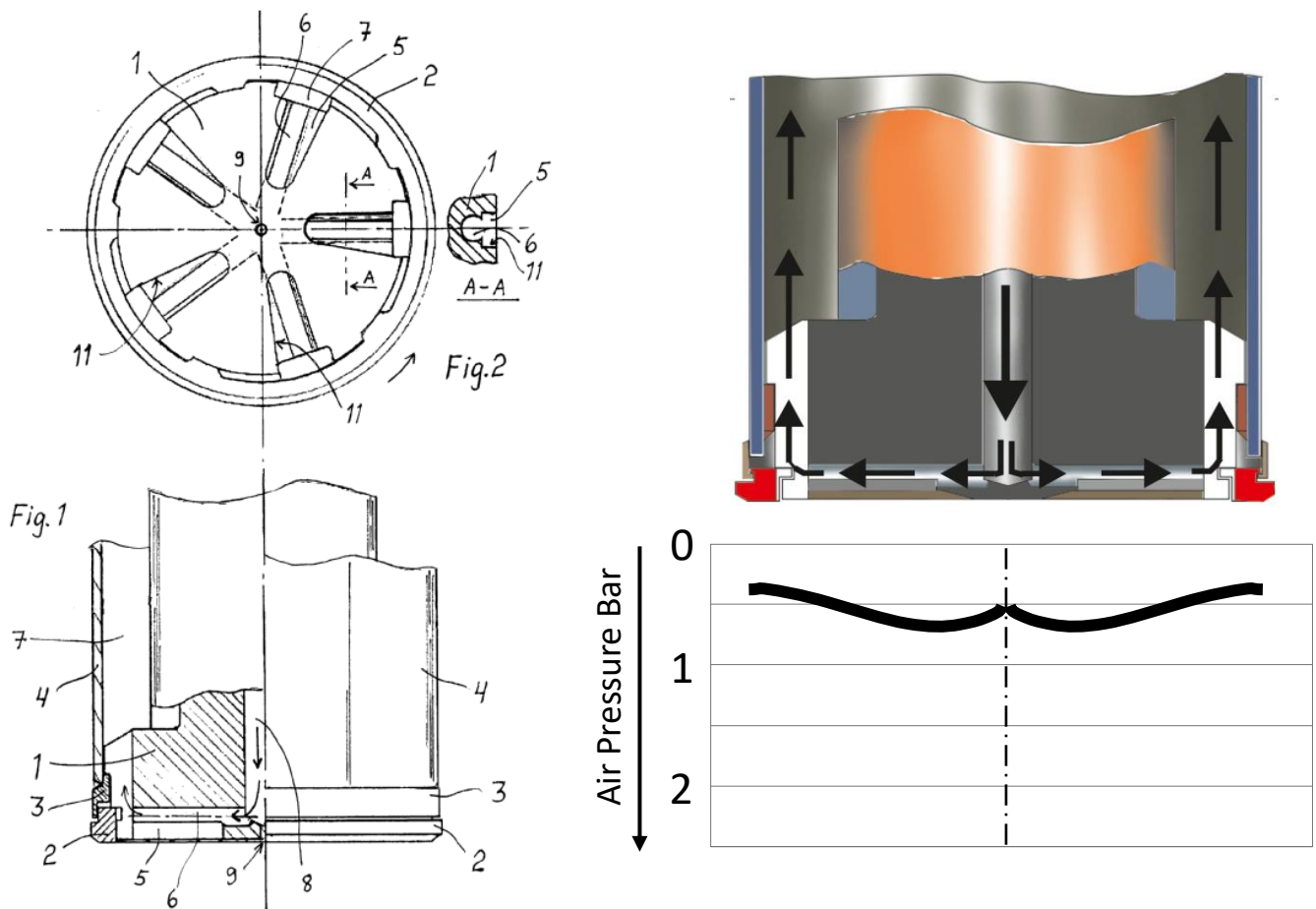


Patented Radial Flush Product Line



In the patented Tri-Mach Radial Flush products the flushing air turns 90 degrees inside the pilot bit. Air therefore blows radially in the bottom of the flushing grooves, transporting drilled soil towards the edges. The radial flushing grooves are located few centimeters lower than the face of the ring bit, ensuring low air pressure and flow against the drilled material.

Air channels are deep below the flushing grooves, which ensures that the soil grooves are virtually never blocked with drilled material. Air flow remains good enough to lift the drilled soil and cuttings up in the casing tube.

Number of grooves is increased along with the size of the casing tube. This guarantees excellent air flow and low pressure against the drilled material at every pile size.

Radial Flush – Patented by Tri-Mach

